



## ECHOO

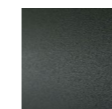
design Piero Lissoni

Sofa with structure in double-panelled poplar, fir-wood and plywood, steel seat-chassis, finished with epoxy powder coating, sprung with coated rubber elastic straps, and padding in polyurethane foam covered in 100% polyether thermally bonded onto a polyamide velveteen backing. Seat cushion in differentiated density polyurethane foam covered in needle punched, resinated, non-woven polyester fibre, bonded onto a polyamide velveteen backing.

Backrest and armrest cushion in differentiated density polyurethane foam covered with a mat in prewashed and sterilized goose down, stitched into separate compartments. Steel feet Ø15 mm, gunmetal grey or burnish colour painted, screwed to the base with a bushing and with adjustable black PVC tips. Fabric or leather upholstery, both fully removable by zippers and Velcro fastenings. Seat depth: 69cm.

---

### Feet



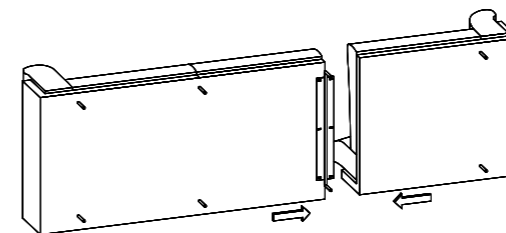
Gunmetal Grey  
Lacquering

---

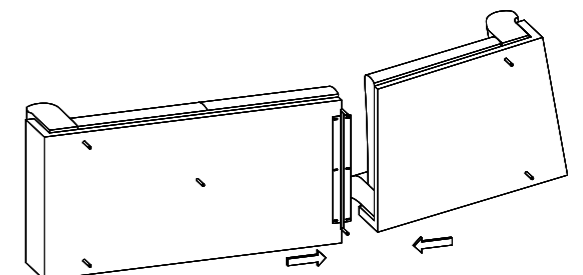
### Notes

For dimensions 307/322 cm, on request the sofa can be supplied in two parts (always as shown in the drawing above), with even upholstery in two parts. Please specify it at time of order, otherwise the same will be processed as a standard.

Sofa 307 cm



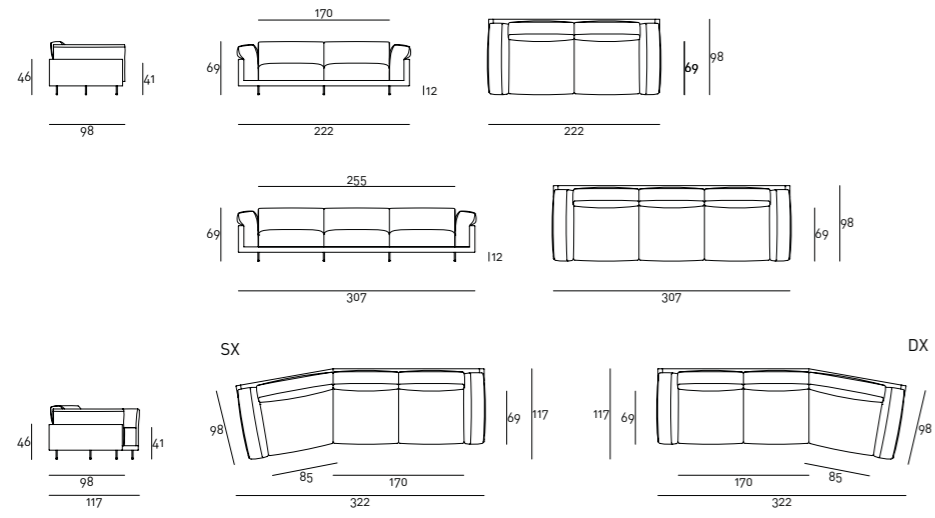
Sofa 322 cm



This solution is for delivery purposes only. The model is not available as modular.

Technical Drawings

Sofa



Loose cushions

